



SANTOS GRINDERS

SERVING THE FOOD INDUSTRY SINCE 1951

PEPPER (SPICES) GRINDER – WITH DRAWER

Item: 46080

Model: SANTOS 01P



Traditional grinder for coffee and dry spices

Easily adjustable grinding settings: precise setting of the grinding fineness for all types of filtration.

Santos manufactures its own grinding discs since 1954 to give you a perfect grinding, constant and fine.



WARRANTY
PARTS AND LABOR



Authorized Dealer

PEPPER (SPICES) GRINDER WITH DRAWER



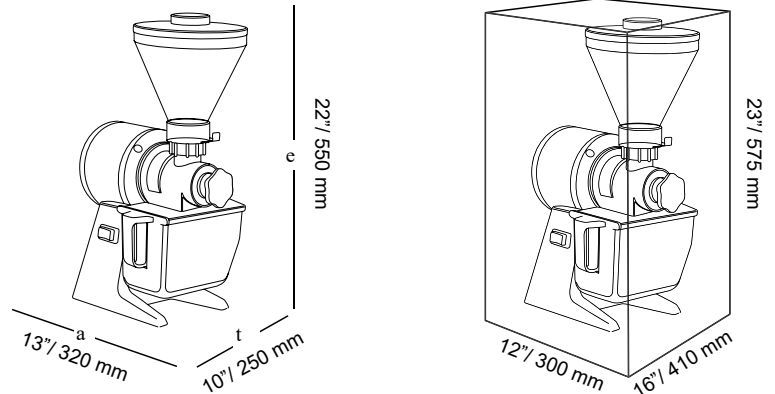
TECHNICAL SPECIFICATIONS

PEPPER (SPICES) GRINDER – WITH DRAWER

Item	46080
Model	SANTOS 01P
Material	Stainless steel and aluminum body
Single Phase	220-240 V – 50/60 Hz – 600 W – CE 100-120 V – 50/60 Hz – 650 W – CE
Speed	1500 rpm (50 Hz); 1800 rpm (60 Hz)
Amp	5.9
Production	14 kg / hour
Drawer Capacity	800 g / 1,8 lbs
Grinding discs	Ø 63.5mm / 2,5"
Net dimensions	13" x 10" x 22" / 320 x 250 x 550 mm
Gross dimensions	12" x 16" x 23" / 300 x 410 x 575 mm
Net weight	15 kg / 33 lbs
Gross weight	16,5 kg / 36 lbs

TECHNICAL DRAWINGS & DIMENSIONS

*measurements in diagrams are in mm



2017E&OE

OMCAN INC.

Telephone: 1-800-465-0234
 Fax: (905) 607-0234
 Email: sales@omcan.com
 Website: www.omcan.com



Follow us to keep up to date with the latest news and offers

